

DIAPHRAGM VALVE MV 309

Nominal size DN 15–32

Nominal size 1/2"–1 1/4"

Pressure PN 6–10 bar



Features

- pneumatic diaphragm valve DN 15–32
- compact piston drive
- medium pressure of up to 10 bar with EPDM and FPM diaphragms
- medium pressure of up to 6 bar with PTFE (EPDM) diaphragms
- visual position indicator NC, NO, DA
- NAMUR-compliant air connections
- resistant to contaminated medium
- market standard installation length

Additional options on demand

- silicone free

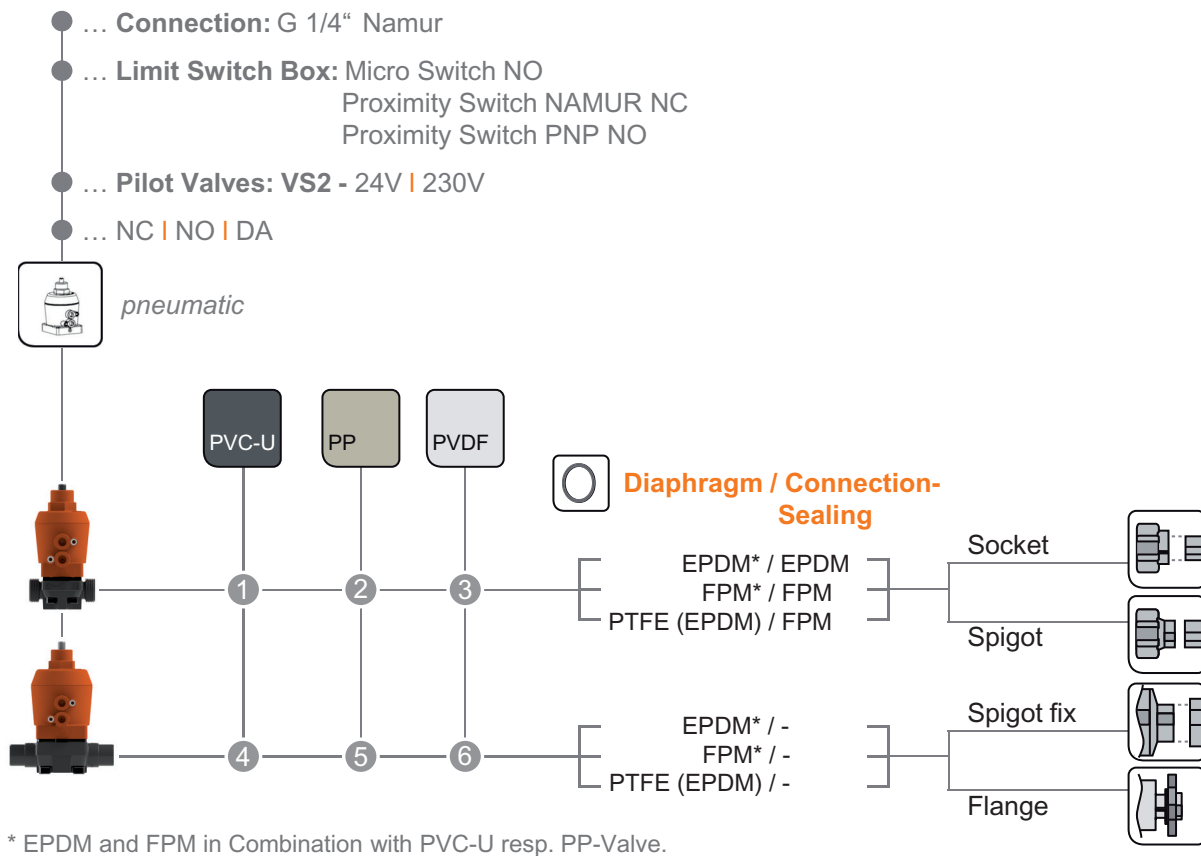
Accessories

- Limit switch unit
- pilot solenoid valve

Attention

Maximum control pressure (air) 6 bar

www.stuebbe.com/en/products-systems/valves/



● available
○ not available

Basic Nominal Sizes:

DN 8	DN 10	DN 15	DN 20	DN 25	DN 32	DN 40	DN 50	DN 65	DN 80	DN 100	DN 125	DN 150	DN 200	DN 250	DN 300	DN 350	DN 400
------	-------	-------	-------	-------	-------	-------	-------	-------	-------	--------	--------	--------	--------	--------	--------	--------	--------

Connection Material (process connection)

- ① **PVC-U** socket **DIN, ANSI, BS, JIS**
female thread Rp
1.4571 female thread Rp
male thread R
PE100 spigot **DIN** (95mm)
- ② **PP** socket **DIN**
female thread Rp
PP spigot (IR)
- ③ **PVDF** socket **DIN**
PVDF spigot (IR)

- ④ **PVC-U** spigot fix
PP/St. flange **DIN, ANSI**
GFK flange **DIN**
- ⑤ **PP** spigot fix *
PP/St. flange **DIN, ANSI**
GFK flange **DIN**
- ⑥ **PVDF** spigot fix *
PP/St. flange **DIN, ANSI**

* only for socket welding.

Diaphragm valve MV 309

Use

- Chemical plant manufacture
- Industrial plants
- Water treatment
- Environmental technology

Application

- for shutting off pipelines and, to a limited extent, for control purposes in technical processing plants

Flow medium

- neutral and aggressive fluid or gaseous medium types, also with abrasive constituents, provided that the valve components coming into contact with the medium are resistant at the operating temperature in accordance with the Stübbe resistance guide.
- For medium types with a high diffusion tendency, e.g. nitric or sulphuric acid, please contact us and indicate the exact operating conditions

Flow direction

- As required

Stübbe resistance guide

- www.stuebbe.com/pdf_resistance/300051.pdf

Testing

- Requirements and testing according to DIN EN ISO 16138 and ISO 9393.
- Leakage rate A tested according to DIN EN 12266

Nominal pressure (H₂O, 20 °C)

- PN 10 bar with EPDM and FPM diaphragms
- PN 6 bar with PTFE (EPDM) diaphragms

Medium temperature

- See graphics „Pressure/temperature diagram“

Operating pressure

- See graphics „Pressure/temperature diagram“

Material with medium contact

Valve body:

- PVC-U, PP, PVDF

Diaphragm:

- EPDM, FPM, PTFE (EPDM diaphragm, PTFE coating on the medium side)

Sealing element:

- FPM, EPDM

Material without medium contact

Bonnet:

- PP glass fiber reinforced

Screws:

- stainless steel (1.4301)

Size

- DN 15–32

Housing

- PVC-U, PP, PVDF

Actuation

- with pneumatic lift actuator

Device connection

- see pictograph „Diaphragm valve MV309“

Control function

- NC (normally closed)
- NO (normally open)
- DA (double acting)

Control pressure

- NC, NO: max. 6 bar
- DA: max. 4 bar

Mounting position

- as required, preferably bonnet at the top

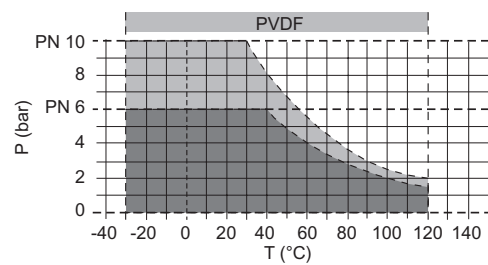
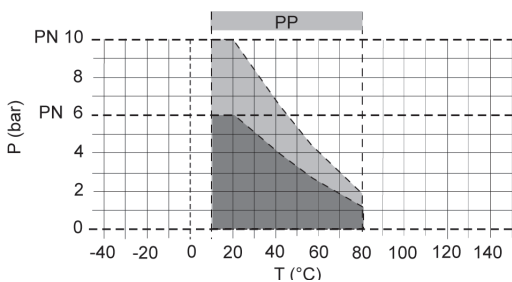
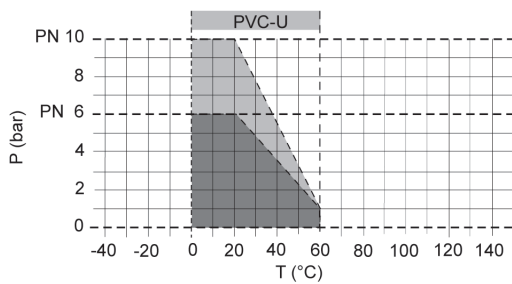
Fastening

- via threaded inserts (metal inserts) in the valve body

Color

- Bonnet: orange, RAL 2004
- Valve body: PVC-U, gray, RAL 7011
- Valve body: PP, gray, RAL 7032
- Valve body: PVDF, opaque, yellowish-white

Pressure/temperature diagram



Description	
P	Operating pressure PN 6 = PTFE (EPDM) diaphragms Operating pressure PN 10 = EPDM, FPM diaphragms
T	Temperature

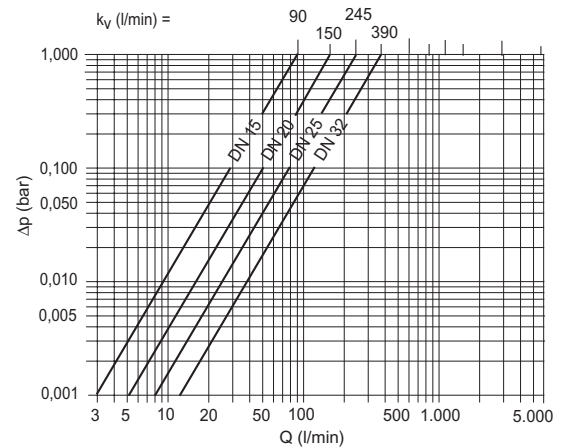
The pressure/temperature limits of the materials are valid for the stated nominal pressures and a service life of 25 years.

These values are guide values for flow medium types which do not negatively impact the physical and chemical characteristics of the valve material. It may be necessary to take diminution factors into consideration.

The operating life of the wear parts depends on the conditions of use.

Please note that, while PTFE has almost universal chemical resistance, the service life of PTFE-coated diaphragms may be reduced by concentrated medium types with a permeation tendency (e.g.: hydrofluoric acid, nitric acid, hydrochloric acid).

Pressure loss curve (standard values for H₂O, 20°C)



Description	
Δp	Pressure loss
Q	Flow

Pressure loss and k_v value

The diagram shows the pressure loss Δp in relation to the flow Q .

Conversion formulas

$$c_v = k_v \times 0.07$$

$$f_v = k_v \times 0.0585$$

Units

$$k_v \text{ [l/min]}$$

$$c_v \text{ [gal/min] US}$$

$$f_v \text{ [gal/min] GB}$$

Intervals for diaphragm inspections, guide values:

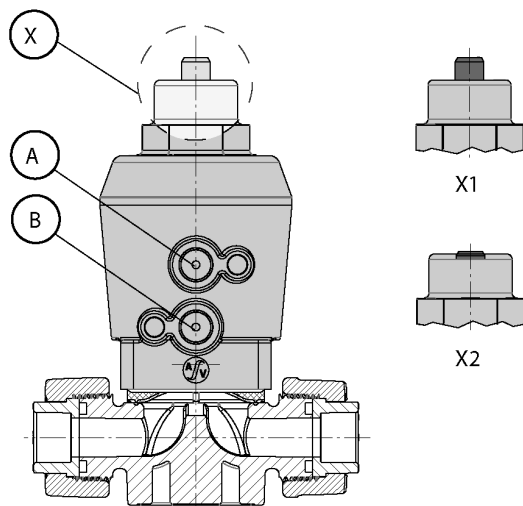
Diaphragm material	max. number of actuations
EPDM	150.000
FPM	100.000
PTFE (EPDM)	100.000

These recommendations are based on extensive laboratory tests and long-term experience in the industry. They apply to use at a temperature of 20°C, with water and at nominal pressure. We recommend shorter inspection intervals for different operating conditions, in particular for higher temperatures, the use of chemicals or medium types containing solid particles and / or abrasive medium types.

Diaphragm valve MV 309

Control pressure connection

NAMUR-compliant connection diagram



Maintenance note

Screw torque (Nm)

d (mm)	20	25	32	40
Md (Nm)	5	5	8	8

Check the tightening torque of the housing screws at certain intervals in case of setting of the diaphragms and/or temperature fluctuations.

Control pressure volume (standard liters)

d (mm)	20	25	32	40
NC	0.049	0.049	0.072	0.072
NO	0.087	0.087	0.176	0.176
DA (opening)	0.049	0.049	0.072	0.072
DA (closing)	0.087	0.087	0.176	0.176

Function	Control pressure open	
	Connection A	Connection B
Normally closed (NC)		»OPEN«
Normally open (NO)	»CLOSED«	
Double-acting (DA)	»CLOSED«	»OPEN«

Control

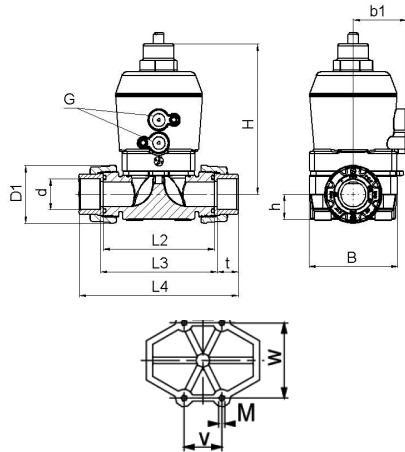
- 3/2-way solenoid valves for NC/NO actuators
- 5/2-way solenoid valves for DA actuators

Visual position indicator

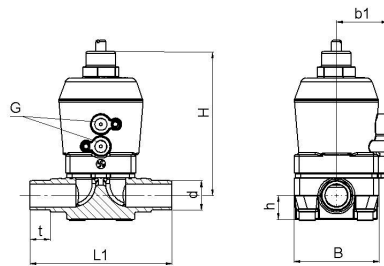
- X1 valve is open
- X2 valve is closed

Diaphragm valve MV 309

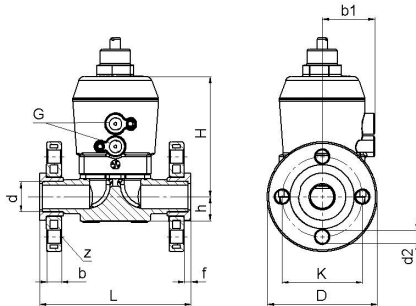
Connection socket



Connection spigot



Connection flange

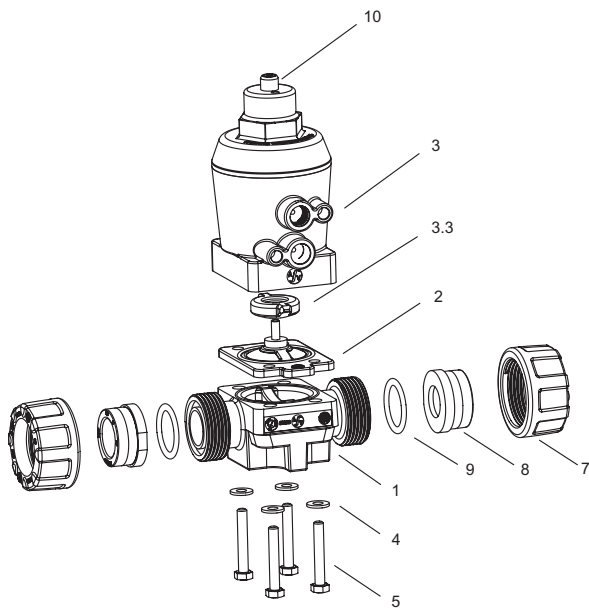


d	20	25	32	40
DN (mm)	15	20	25	32
DN (inch)	1/2	3/4	1	1 1/4
	Housing material		Insert variant	
b	PP / PVC-U	GFK flange DIN		
	PP / PVC-U / PVDF	PP/st. flange ANSI		
	PVDF	PP/st. flange DIN		
B	72	72	92	92
b1	47.5	47.5	55.5	55.5
d2	PP / PVC-U	GFK flange DIN		
	PP / PVC-U / PVDF	PP/st. flange ANSI		
	PVDF	PP/st. flange DIN		
D	PP / PVC-U	GFK flange DIN		
	PP / PVC-U / PVDF	PP/st. flange ANSI		
	PVDF	PP/st. flange DIN		
D1	PP	46	56	66
	PVC-U	41	50	58
	PVDF	47	57	64
f	PP / PVDF	7	9	10
	PVC-U	6	7	7
G*	1/4	1/4	1/4	1/4
h	26	26	26	40
H	137	139	157	173
K	PP / PVC-U	GFK flange DIN		
	PP / PVC-U / PVDF	PP/st. flange ANSI		
	PVDF	PP/st. flange DIN		
L	130	150	160	180
L1	124	144	154	174
L2	90	108	116	134
L3	96	114	122	140
L4	PP	125	146	158
	PVC-U	128	152	166
	PVDF	128	150	162
M	M6	M6	M6	M8
t	PP / PVDF	16	19	21
	PVC-U	16	16	22
w	26	26	26	45
z	4	4	4	4

all dimensions in mm / * dimensions in inch

Diaphragm valve MV 309

Components



Item	Quantity	Designation
1	1	valve body
2	1	Diaphragm
3	1	Lift drive
3.3	1	Pressure piece
4	4	Washer
5	4	Hexagon screw (housing screw)
7	2	Union nut
8	2	Union end
9	2	O-ring
10	1	Indicator pin