



**FE DN 40÷200**  
PVC-U

Butterfly valve

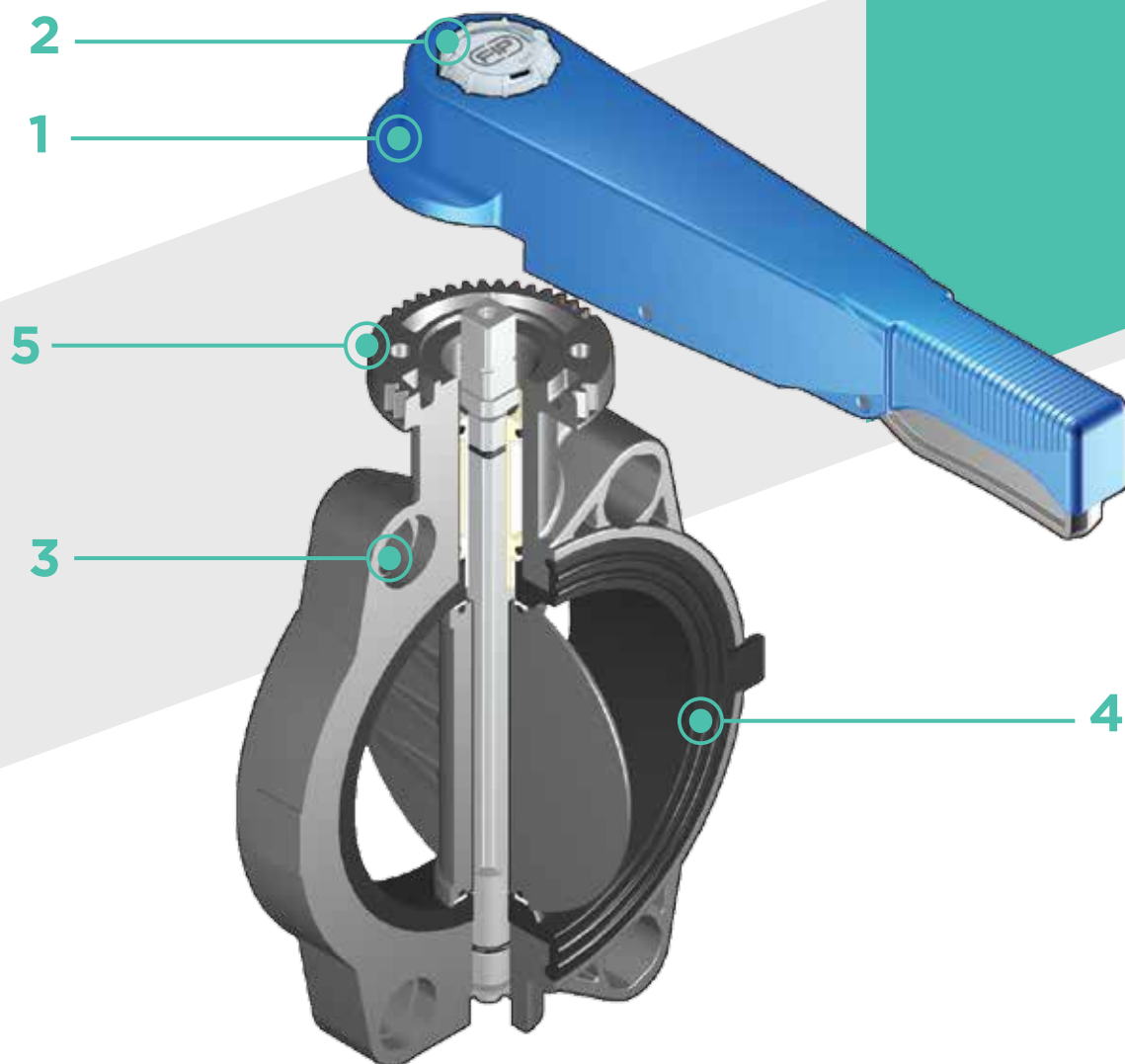
# FE DN 40÷200

The FE is a butterfly valve for shutting off or regulating flow, specifically designed for water applications and equipped with a customisable Labelling System.

## BUTTERFLY VALVE

- Disk in PVC-U with through shaft
- **Zinc plated square section steel stem completely isolated from the fluid** complying with standard ISO 5211:  
DN 40 ÷ 65: 11 mm  
DN 80 ÷ 100: 14 mm  
DN 125 ÷ 150: 17 mm  
DN 200: 22 mm
- Can also be installed as an end line valve, bottom discharge valve or tank dump valve
- **The wafer valve can be transformed into a one-way Lug body valve** thanks to the set of zinc plated steel inserts available as an optional extra
- **Valve material compatibility** (PVC-U) with water conveyance, drinking water and other food substances according to **current regulations**
- Possibility of directly installing a gearbox or pneumatic and/or electric actuators with a standard drilling pattern according to standard ISO 5211 F05, F07, F10

Technical specifications	
<b>Construction</b>	Bi-directional centric butterfly valve
<b>Size range</b>	DN 40 ÷ 200
<b>Nominal pressure</b>	<b>Wafer version</b> <b>DN 40÷50:</b> PN 16 with water at 20 °C <b>DN 65÷200:</b> PN 10 with water at 20 °C <b>Lug version</b> <b>DN 40÷125:</b> PN 6 with water at 20 °C <b>DN 150÷200:</b> PN 4 with water at 20 °C
<b>Temperature range</b>	0 °C ÷ 60 °C
<b>Coupling standards</b>	<b>Flanging system:</b> EN ISO 1452, EN ISO 15493, DIN 2501, ISO 7005-1, EN 1092-1, ASTM B16.5 Cl.150
<b>Reference standards</b>	<b>Construction criteria:</b> EN ISO 16136, EN ISO 1452, EN ISO 15493 <b>Test methods and requirements:</b> ISO 9393 <b>Actuator couplings:</b> ISO 5211
<b>Valve material</b>	<b>Body:</b> PVC-U <b>Disk:</b> PVC-U <b>Stem:</b> Zinc plated carbon steel (C45). On request STAINLESS steel AISI 316
<b>Seal material</b>	Liner: EPDM, FPM. On request NBR
<b>Control options</b>	Hand lever operated; Gearbox, pneumatic actuator, electric actuator



- 1 Ergonomic multifunctional handle in HIPVC** with the option for **quick operation, graduated adjustment** in 12 positions (every 7.5°). 180° reversible mounting
- 2 Customisable Labelling System:** integrated module, made of a transparent protection plug customisable tag holder using the LSE set (available as

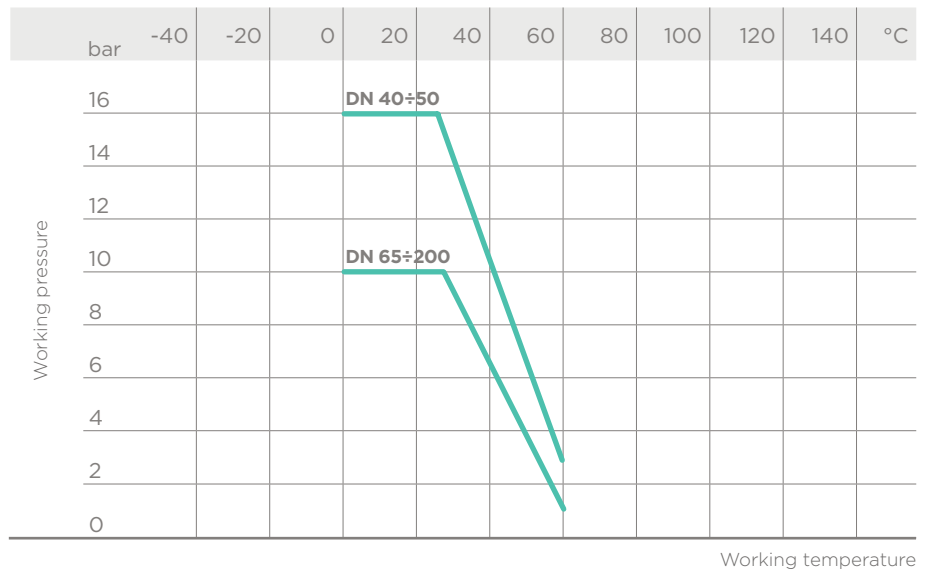
- accessory). The **customisation lets you identify the valve on the system** according to the specific needs
- 3 Drilling pattern with oval slots** that allow coupling to flanges according to numerous international standards

- 4 Interchangeable liner** with the dual function of forming a hydraulic seal and isolating the body from the fluid.
- 5 One-piece top flange with PVC-U rack.** Drilling according to standard ISO 5211 for direct drive:  
 DN 40 ÷ 65: F05  
 DN 80 ÷ 150: F07  
 DN 200: F10

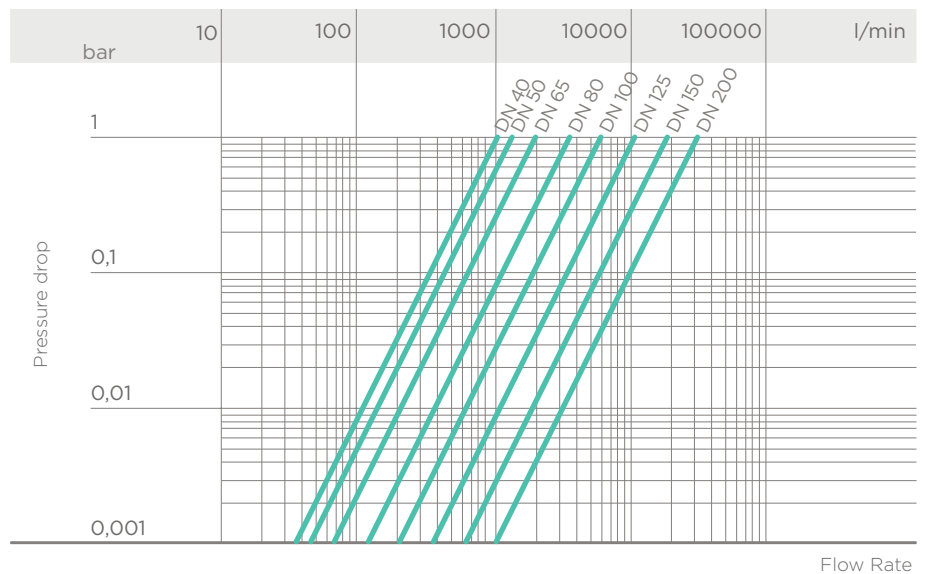
# TECHNICAL DATA

## PRESSURE VARIATION ACCORDING TO TEMPERATURE

For water and non-hazardous fluids with regard to which the material is classified as CHEMICALLY RESISTANT. In other cases, a reduction of the nominal pressure PN is required (25 years with safety factor).



## PRESSURE DROP GRAPH



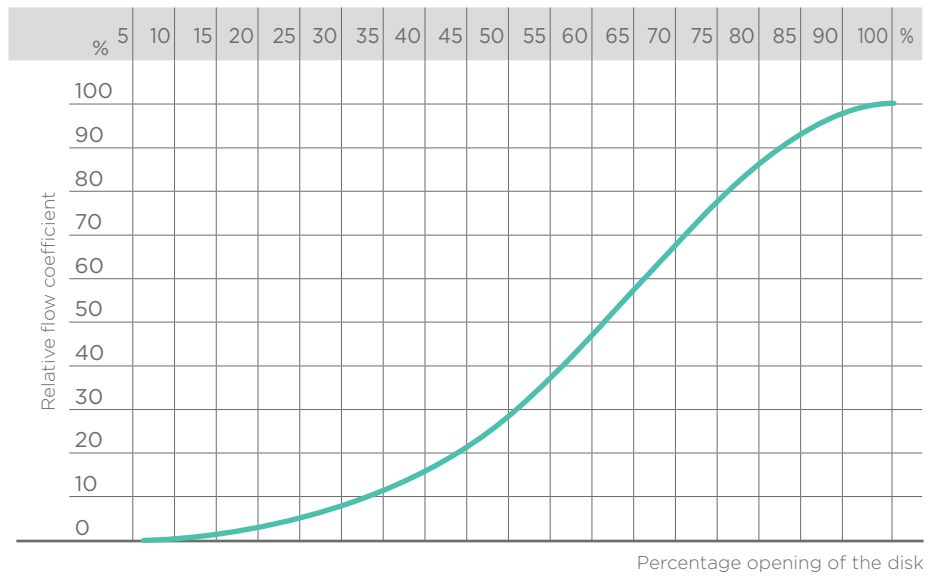
## K<sub>v</sub>100 FLOW COEFFICIENT

The K<sub>v</sub>100 flow coefficient is the Q flow rate of litres per minute of water at a temperature of 20°C that will generate  $\Delta p = 1$  bar pressure drop at a certain valve position.

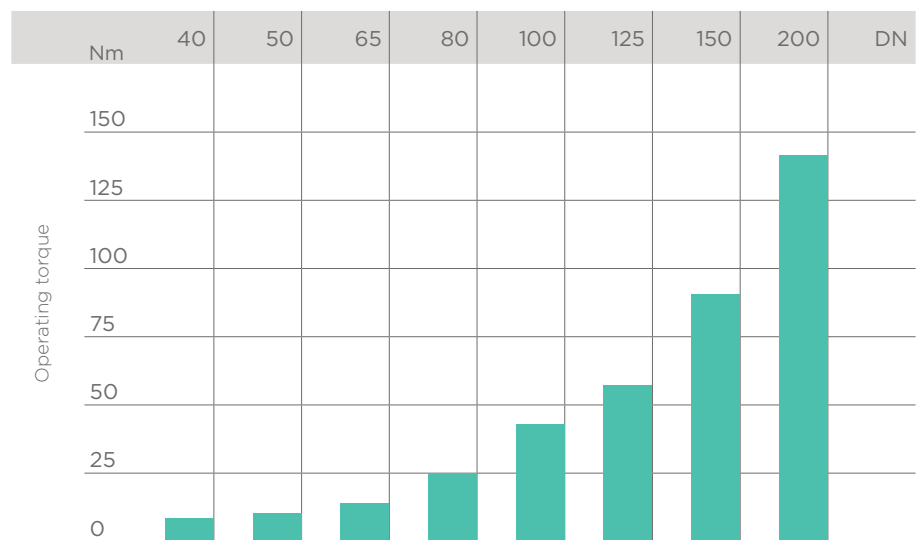
The K<sub>v</sub>100 values shown in the table are calculated with the valve completely open.

DN	40	50	65	80	100	125	150	200
K <sub>v</sub> 100 l/min	1000	1285	1700	3550	5900	9850	18700	30500

## RELATIVE FLOW COEFFICIENT GRAPH

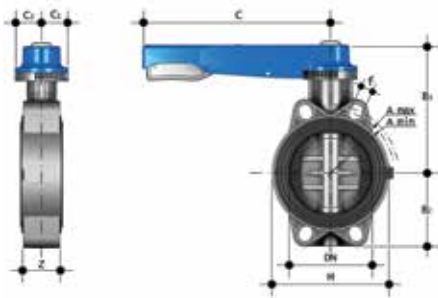


## OPERATING TORQUE AT MAXIMUM WORKING PRESSURE



The information in this leaflet is provided in good faith. No liability will be accepted concerning technical data that is not directly covered by recognised international standards. FIP reserves the right to carry out any modification. Products must be installed and maintained by qualified personnel.

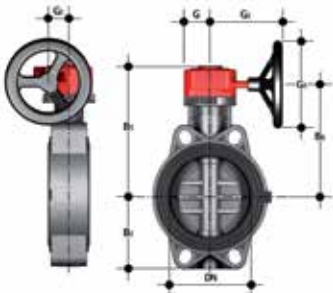
# DIMENSIONS



**FEOV/LM**  
Hand operated Butterfly valve

d	DN	PN	A <sub>min</sub>	A <sub>max</sub>	B <sub>2</sub>	B <sub>3</sub>	C	C <sub>1</sub>	C <sub>2</sub>	f	H	U	Z	g	EPDM Code	FPM Code
50	40	16	93.5	109	60	136	175	45	42	19	132	4	33	827	FEOVLM050E	FEOVLM050F
63	50	16	108	124	70	143	175	45	42	19	147	4	43	1012	FEOVLM063E	FEOVLM063F
75	65	10	128	144	80	168	175	45	45	19	165	4	46	1420	FEOVLM075E	FEOVLM075F
90	80	10	145	159	90	182	250	45	45	19	130	4	49	1640	FEOVLM090E	FEOVLM090F
110	100	10	165	190	105	196	250	45	45	19	150	4	56	1990	FEOVLM110E	FEOVLM110F
*125	125	10	204	215	121	215	335	45	45	23	185	4	64	3030	FEOVLM140E	FEOVLM140F
140	125	10	204	215	121	215	335	45	45	23	185	4	64	3030	FEOVLM140E	FEOVLM140F
160	150	10	230	242	132	229	335	45	45	23	210	4	70	3730	FEOVLM160E	FEOVLM160F
**200	200	10	280	298	161	309	425	65	82	23	325	8	71	8240	FEOVLM225E	FEOVLM225F
225	200	10	280	298	161	309	425	65	82	23	325	8	71	8240	FEOVLM225E	FEOVLM225F

\* FEOV D140 with special adaptor stubs D125

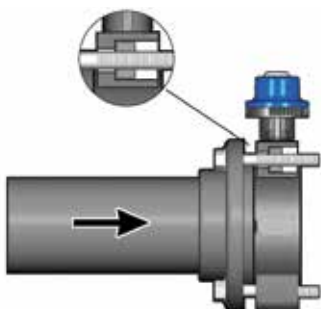


**FEOV/RM**  
Gearbox operated Butterfly valve

d	DN	PN	B <sub>2</sub>	B <sub>5</sub>	B <sub>6</sub>	G	G <sub>1</sub>	G <sub>2</sub>	G <sub>3</sub>	U	g	EPDM Code	FPM Code
75	65	10	80	173	145	48	135	39	125	4	2380	FEOVRM075E	FEOVRM075F
90	80	10	90	187	159	48	135	39	125	4	2600	FEOVRM090E	FEOVRM090F
110	100	10	105	201	173	48	135	39	125	4	2950	FEOVRM110E	FEOVRM110F
*125	125	10	121	220	192	48	144	39	200	4	4400	FEOVRM140E	FEOVRM140F
140	125	10	121	220	192	48	144	39	200	4	4400	FEOVRM140E	FEOVRM140F
160	150	10	132	235	207	48	144	39	200	4	5100	FEOVRM160E	FEOVRM160F
**200	200	10	161	288	257	65	175	60	200	8	9260	FEOVRM225E	FEOVRM225F
225	200	10	161	288	257	65	175	60	200	8	9260	FEOVRM225E	FEOVRM225F

\* FEOV D140 with special adaptor stubs D125

# ACCESSORIES



## FE LUG INSERT

Size range: DN 40 ÷ 200 mm. Standard: ISO-DIN. PN: 6-4 bar with water at 20° C (used as end line). Threaded inserts are available to transform all the PVC-U butterfly valves of the FEOV series into Lug body valves.

The zinc plated steel inserts can be easily fitted before installing the valve in the system and allow the valve itself to be used as a single flange end line valve in total safety.

Lug butterfly valves are the unidirectional type when used as end line valves with a single flange, or as a connecting element for maintenance operations without needing to drain the lines

DN	PN (1)	PN Lug (2)	Code
40	12	6	KITLUG075ISO
50	1285	6	KITLUG075ISO
65	1700	6	KITLUG075ISO
80	3550	6	KITLUG090ISO
100	5900	6	KITLUG110ISO
125	9850	6	KITLUG140ISO
150	18700	4	KITLUG160ISO
200	30500	4	KITLUG225ISO

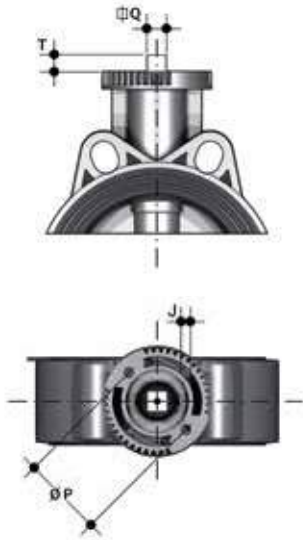
(1) installation with double flange  
(2) installation with single flange



## LSE

Customisation and label printing set for Easyfit handle made up of precut adhesive sheets and software for guided label creation

DN	Code
40	LSE040
50	LSE040
65	LSE040
80	LSE040
100	LSE040
125	LSE040
150	LSE040
200	LSE040



## ACTUATOR MOUNTING FLANGE

The valve can be equipped with standard pneumatic or electric actuators and gearbox for heavy-duty operations, using a flange in PP-GR reproducing the drilling pattern provided for by standard ISO 5211.

DN	J	P	Ø	T	Q
40	7	50	F 05	12	11
50	7	50	F 05	12	11
65	7	50	F 05	12	11
80	9	70	F 07	16	14
100	9	70	F 07	16	14
125	9	70	F 07	19	17
150	9	70	F 07	19	17
200	11	102	F 10	24	22

## CUSTOMISATION

The FE valve is equipped with the customisable Labelling System.

This system lets you create special labels to insert in the handle. This makes it extremely easy to apply company logos, identification serial numbers or service information such as, for example, the valve function in the system, the transported fluid, but also specific information for customer service, such as the customer name or installation date or location on the valves.

The specific LCE module is a standard supply and is made up of a rigid transparent water-resistant PVC plug (A-C) and white tag holder (B) made of the same material, one side of which bears the FIP logo (fig. 1).

The tag holder, inserted in the plug, can be removed and, once overturned, used for customisation by applying labels printed with the software supplied with the LSE set.

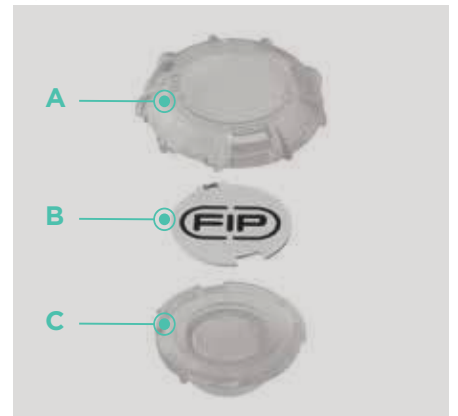
Proceed as follows to apply the label on the valve:

- 1) Remove the upper part of the transparent plug (A) rotating it counter-clockwise as indicated by the word "Open" on the plug and remove it.
- 2) Extract the tag holder from its housing on the lower part of the plug (C)
- 3) Apply the adhesive label on the holder (B) to align the profiles matching the tab position.
- 4) Reinsert the tag holder in its housing at the bottom of the plug
- 5) Reposition the top of the plug in the housing rotating it clockwise; this way the label is protected against the elements.

Fig. 1



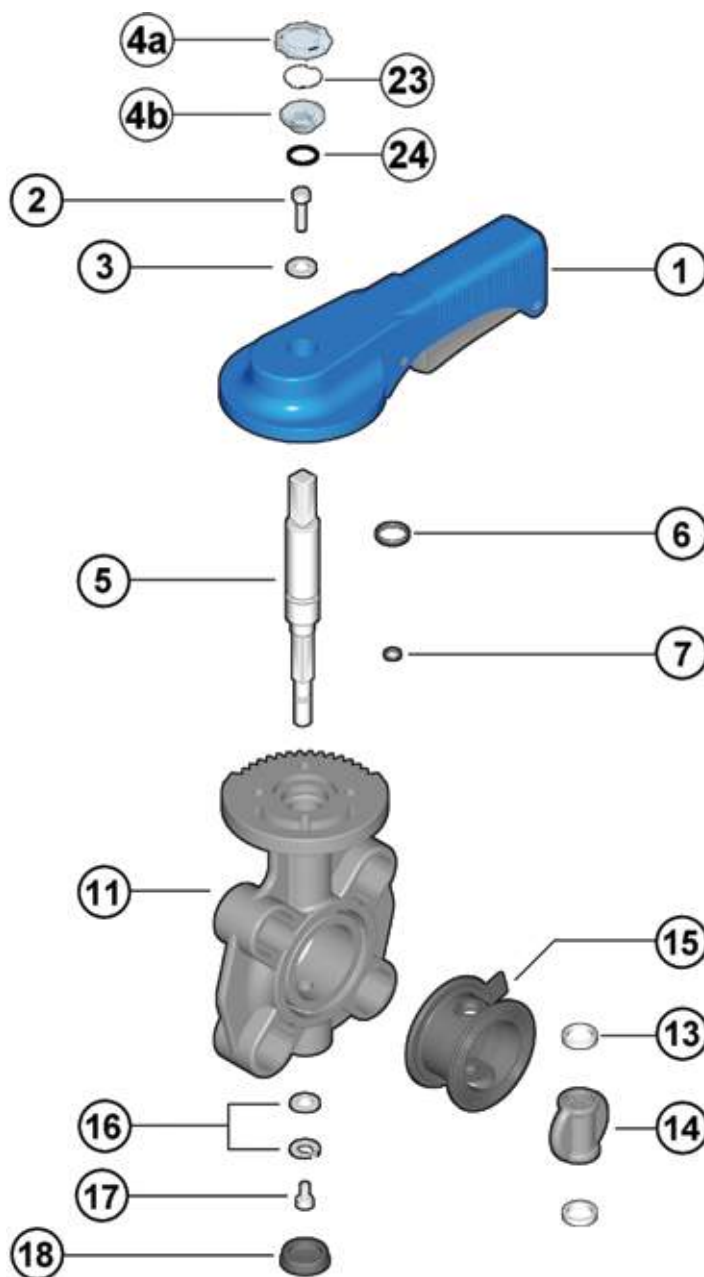
Fig. 2





# COMPONENTS

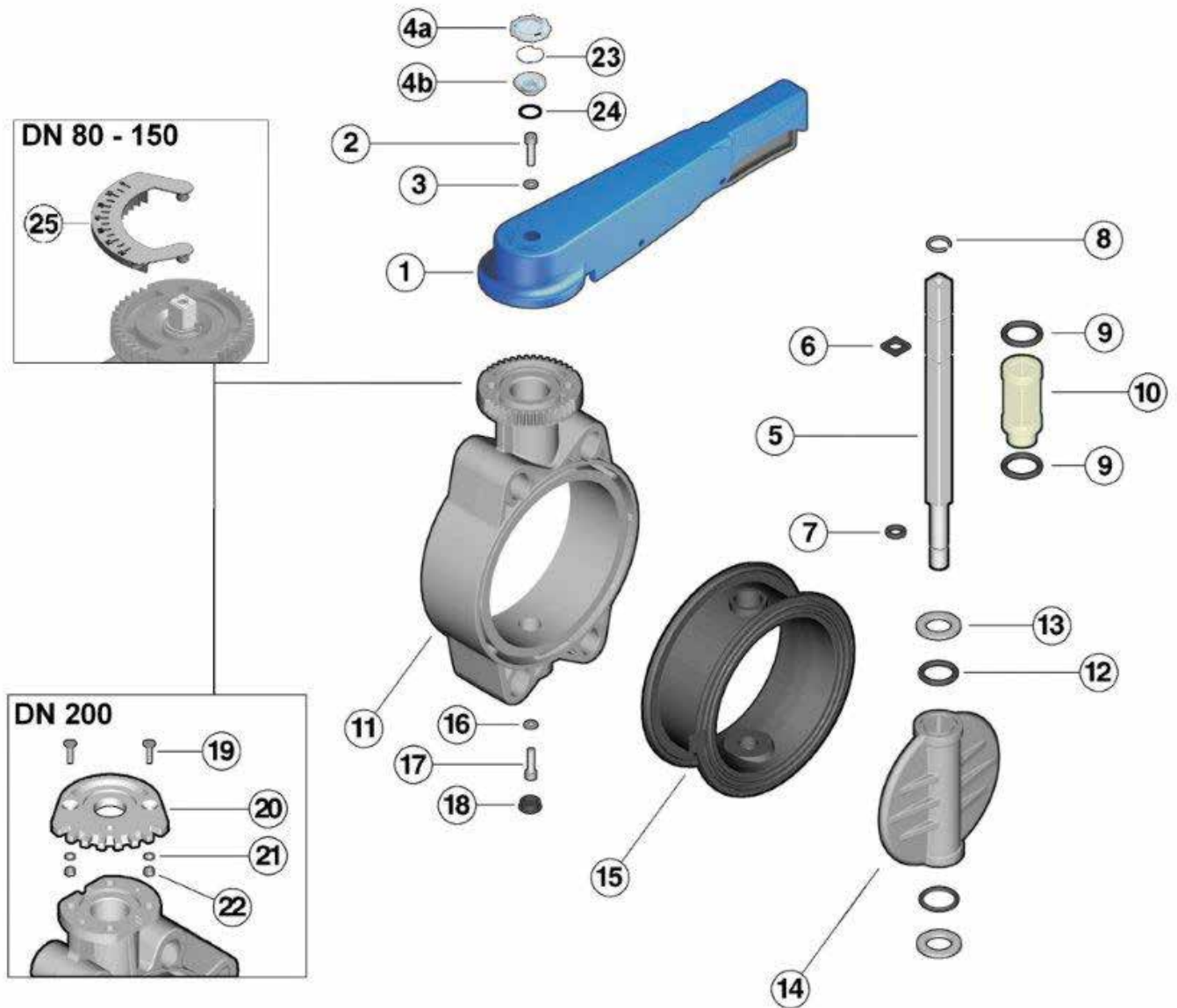
## EXPLODED VIEW DN 40÷50



- |   |                                    |                                     |
|---|------------------------------------|-------------------------------------|
| 1 · Handle (HIPVC - 1)                    | 10 · Bush (Nylon - 1)              | 19 · Screw (STAINLESS steel - 2)    |
| 2 · Screw (STAINLESS steel - 1)           | 11 · Body (PVC-U - 1)              | 20 · Plate (PVC-U - 1)              |
| 3 · Washer (STAINLESS steel - 1)          | 12 · Disk O-Ring (EPDM or FPM - 2) | 21 · Washer (STAINLESS steel - 2)   |
| 4 · Transparent protection plug (PVC - 1) | 13 · Anti-friction ring (PTFE - 2) | 22 · Nut (STAINLESS steel - 2)      |
| 5 · Stem (Zinc plated steel - 1)          | 14 · Disk (PVC-U - 1)              | 23 · Tag holder (PVC-U - 1)         |
| 6 · Stem O-Ring (EPDM or FPM - 1)         | 15 · Liner (EPDM or FPM - 1)       | 24 · O-Ring (NBR - 2)               |
| 7 · Stem O-Ring (EPDM or FPM - 1)         | 16 · Washer (Steel - 1)            | 25 · Position indicator (PVC-U - 1) |
| 8 · Seeger ring (STAINLESS steel - 1)     | 17 · Screw (STAINLESS steel - 1)   |                                     |
| 9 · Bush O-Ring (EPDM or FPM - 2)         | 18 · Protection plug (PE - 1)      |                                     |

The material of the component and the quantity supplied are indicated between brackets

## EXPLODED VIEW DN 65÷200



- |   |                                    |                                     |
|---|------------------------------------|-------------------------------------|
| 1 · Handle (HIPVC - 1)                    | 10 · Bush (Nylon - 1)              | 19 · Screw (STAINLESS steel - 2)    |
| 2 · Screw (STAINLESS steel - 1)           | 11 · Body (PVC-U - 1)              | 20 · Plate (PVC-U - 1)              |
| 3 · Washer (STAINLESS steel - 1)          | 12 · Disk O-Ring (EPDM or FPM - 2) | 21 · Washer (STAINLESS steel - 2)   |
| 4 · Transparent protection plug (PVC - 1) | 13 · Anti-friction ring (PTFE - 2) | 22 · Nut (STAINLESS steel - 2)      |
| 5 · Stem (Zinc plated steel - 1)          | 14 · Disk (PVC-U - 1)              | 23 · Tag holder (PVC-U - 1)         |
| 6 · Stem O-Ring (EPDM or FPM - 1)         | 15 · Liner (EPDM or FPM - 1)       | 24 · O-Ring (NBR - 2)               |
| 7 · Stem O-Ring (EPDM or FPM - 1)         | 16 · Washer (Steel - 1)            | 25 · Position indicator (PVC-U - 1) |
| 8 · Seeger ring (STAINLESS steel - 1)     | 17 · Screw (STAINLESS steel - 1)   |                                     |
| 9 · Bush O-Ring (EPDM or FPM - 2)         | 18 · Protection plug (PE - 1)      |                                     |

The material of the component and the quantity supplied are indicated between brackets

## DISMOUNTING

- 1) Remove the LCE module consisting of the rigid transparent PVC plug (4a-4b) and white tag holder (23) and remove screw (2) and washer (3).
- 2) Remove the handle (1).
- 3) Remove the protection plug (18) and screw (17) with the washer (16).
- 4) Extract the stem (5) and disk (14).
- 5) Remove the liner (15) from the body (11).
- 6) Remove the Seeger ring (8) and guide bush (10).
- 7) Remove O-rings (6) and (7).

## MOUNTING

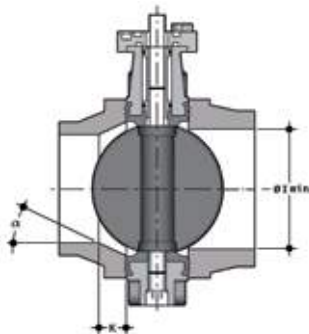
- 1) Place the liner (15) on the body (11).
- 2) Insert O-rings (6) and (7) on the stem (5).
- 3) Insert the gaskets (9) on the guide bush (10) and the bush on the stem. Lock the bush using the Seeger ring (8).
- 4) Position the O-rings (12) and then the anti-friction rings (13) on the disk (14) and the disk inside the body, after having lubricated the liner (15).
- 5) Insert the stem (5) through the body (11) and disk (14).
- 6) Tighten screw (17) with washer (16) and insert the protection plug (18).
- 7) Position the handle (1) on the stem.
- 8) Tighten screw (2) with washer (3) and replace the LCE module consisting of the rigid transparent PVC plug (4a-4b) and white tag holder protection(23).



**Note:** during assembly operations, it is advisable to lubricate the rubber seals. Mineral oils are not recommended for this task as they react aggressively with EPDM rubber.

# INSTALLATION

## JOINTS



Before proceeding with the installation of the stubs, check that the bore of the fittings has sufficient clearance to allow the valve disk to open correctly. Also check the maximum coupling distance for the liner. Before proceeding with the installation of the FE valve, check that the bore of the stubs allows the correct opening of the disk

DN	l min.
40	25
50	28
65	47
80	64
100	84
125	108
150	134
200	187

To install on PVC-U stubs, check the valve-stub-flange couplings in the following table.

	d	50	63	75	90	110	125	140	160	200	225
	DN	40	50	65	80	100	100	125	150	200	200
FK valve	50	40									
	63	50									
	75	65									
	90	80									
	110	100									
	140	125						*			
	160	150									
	225	200								**	

Stub with female end for solvent welding according to EN ISO 1452 and DIN 8063- 4

\* With special stub d125 DN 125 for FE d140 DN 125 and flange d140 DN 125

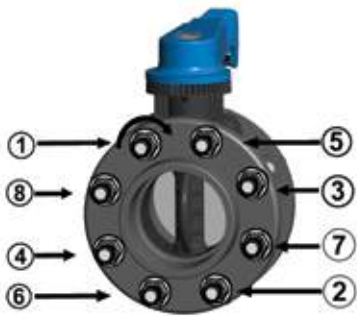
\*\* With special stub d200 DN 200 for FE d225 DN 200 and flange d225 DN 200

For the installation of PP-PE stubs, for butt welding a short spigot or electrofusion/butt welding a long spigot, check the valve-stub couplings and the K - a chamfer dimensions where necessary according to the different SDR's in the following table.

	d	50	63	75	90	110	125	140	160	180	200	225	250	280	315
	DN	40	50	65	80	100	100	125	150	150	200	200	250	250	300
FK valve	50	40													
	63	50													
	75	65													
	90	80													
	110	100													
	140	125													
	160	150													
	225	200													
SDR	17/17.6										k=26.5 a=20°		k=15.7 a=25°		k=13.3 a=25°
	11								k=35 a=20°		k=35 a=25°	k=40 a=15°	k=32.5 a=25°	k=35 a=25°	k=34.5 a=25°
	7.4			k=10 a=35°	k=15 a=35°		k=20 a=30°	k=35 a=20°	k=15 a=35°	k=40 a=20°	k=35 a=30°	k=55 a=30°	k=35 a=30°	k=65 a=30°	

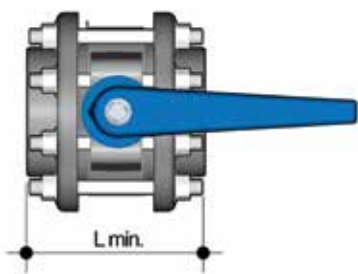
Short/long spigot stubs according to EN ISO 15494 and DIN 16962/16963 and flange

## TIGHTENING THE STUD-BOLTS



Before tightening the stud-bolts, it is advisable to open the disk in order to prevent damage to the seal. Tighten the stud-bolts in a uniform manner, in the order indicated in the figure, to the operating torque value indicated in the table.

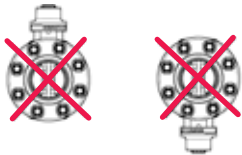
The stud-bolts do not need to be excessively tightened in order to produce a perfect hydraulic seal. Overtightening could adversely affect the operating torque of the valve.



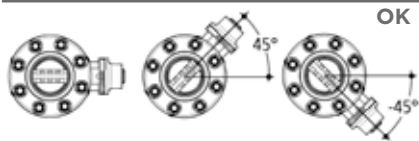
DN	L min.	*Nm
40	M16x150	9
50	M16x150	12
65	M16x170	15
80	M16x180	18
100	M16x180	20
125	M16x210	35
150	M20x240	40
200	M20x260	55

\* Tightening torques for nuts and bolts on couplings with backing ring.  
Values required to obtain the hydraulic test (1.5xPN at 20°C)  
(new or lubricated nuts and bolts)

## ! WARNINGS



NO



OK

Make sure that the valves installed on the system are suitably supported for their weight.

Always avoid sudden closing manoeuvres and protect the valve from accidental manoeuvres. To this end, it is advisable to install a reduction gear, available on request.

In the case of dirty fluids or those with sediments, install the valve inclined as shown in the figure.



**Aliaxis**  
UTILITIES & INDUSTRY

**FIP - Formatura Iniezione Polimeri**

Loc. Pian di Parata, 16015 Casella Genova Italy

Tel. +39 010 96211

Fax +39 010 9621.209

info.fip@aliaxis.com

[www.fipnet.com](http://www.fipnet.com)



Code LEVAMAV

