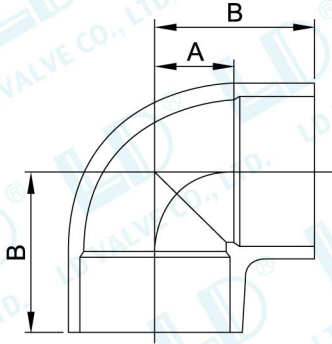
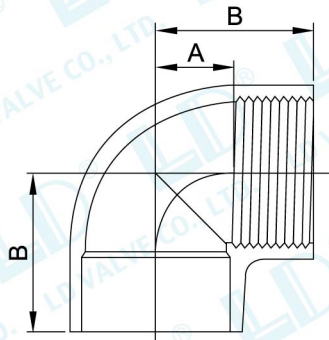


LD-501 90° Elbow
Codo 90°
 Socket
 Encolar



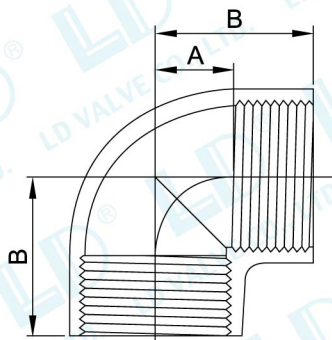
ASTM Inch	DIN d(mm)	mm		Part Number	Weight (kg/pc)			Pcs/Ctn
		A	B		PVC	Part Number	CPVC	
1/2"	20	9.7	33.2	501-012	0.04	501-012C	0.04	50
3/4"	25	12.0	38.3	501-034	0.05	501-034C	0.06	30
1"	32	14.9	44.4	501-100	0.09	501-100C	0.09	40
1-1/4"	40	25.8	57.1	501-114	0.14	501-114C	0.14	20
1-1/2"	50	29.3	64.6	501-112	0.18	501-112C	0.19	24
2"	63	35.2	73.7	501-200	0.29	501-200C	0.30	12
2-1/2"	75	42.2	88.1	501-212	0.50	501-212C	0.52	8
3"	90	51.2	100.9	501-300	0.81	501-300C	0.85	5
4"	110	62.4	119.2	501-400	1.15	501-400C	1.20	8
6"	160	84.7	168.3	501-600	3.61	501-600C	3.79	2
8"	200/225	122	225	501-800	7.12	501-800C	7.77	2
10"	250/280	150	290	501-1000	10.6	501-1000C	11.6	1
12"	315	175	330	501-1200	18.1	501-1200C	19.8	1
14"	355	197	427	501-1400	26.1	501-1400C	27.41	1
16"	400	235.4	492	501-1600	40.9	501-1600C	42.95	1

LD-502 90° Elbow
Codo 90°
 Socket X Female Thread
 Encolar X Rosca Hembra



ASTM Inch	DIN d(mm)	mm		Part Number	Weight (kg/pc)			Pcs/Ctn
		A	B		PVC	Part Number	CPVC	
1/2"	20	9.7	33.2	502-012	0.04	502-012C	0.04	50
3/4"	25	12.0	38.3	502-034	0.06	502-034C	0.06	30
1"	32	14.9	44.4	502-100	0.09	502-100C	0.10	40
1-1/4"	40	25.8	57.1	502-114	0.14	502-114C	0.15	20
1-1/2"	50	29.3	64.6	502-112	0.19	502-112C	0.20	24
2"	63	35.2	73.7	502-200	0.30	502-200C	0.32	12
2-1/2"	75	42.2	88.1	502-212	0.52	502-212C	0.55	8
3"	90	51.2	100.9	502-300	0.85	502-300C	0.89	5
4"	110	62.4	119.2	502-400	1.20	502-400C	1.27	8

LD-503 90° Elbow
Codo 90°
 Female Thread
 Rosca Hembra



ASTM Inch	DIN d(mm)	mm		Part Number	Weight (kg/pc)			Pcs/Ctn
		A	B		PVC	Part Number	CPVC	
1/2"	20	9.7	33.2	503-012	0.04	503-012C	0.04	50
3/4"	25	12.0	38.3	503-034	0.06	503-034C	0.06	30
1"	32	14.9	44.4	503-100	0.10	503-100C	0.10	40
1-1/4"	40	25.8	57.1	503-114	0.15	503-114C	0.16	20
1-1/2"	50	29.3	64.6	503-112	0.20	503-112C	0.21	24
2"	63	35.2	73.7	503-200	0.32	503-200C	0.33	12
2-1/2"	75	42.2	88.1	503-212	0.55	503-212C	0.58	8
3"	90	51.2	100.9	503-300	0.89	503-300C	0.93	5
4"	110	62.4	119.2	503-400	1.27	503-400C	1.33	8