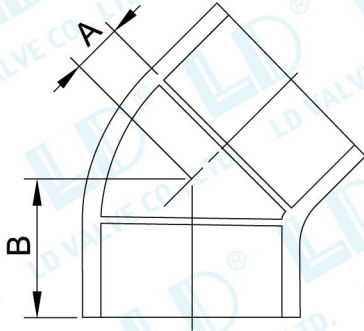
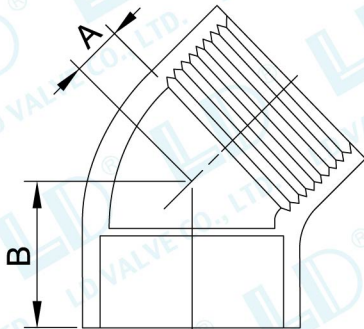


**LD-511** **45° Elbow**  
**Codo 45°**  
Socket  
Encolar



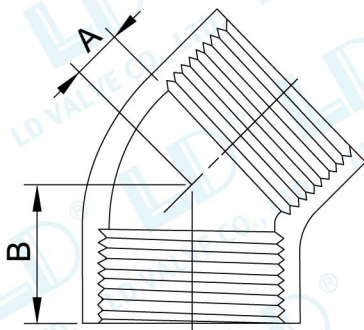
ASTM Inch	DIN d(mm)	mm		Weight (kg/pc)				Pcs/Ctn
		A	B	Part Number	PVC	Part Number	CPVC	
1/2"	20	8.2	30.6	511-012	0.03	511-012C	0.03	70
3/4"	25	8.0	33.8	511-034	0.04	511-034C	0.04	40
1"	32	8.4	37.9	511-100	0.06	511-100C	0.07	40
1-1/4"	40	13.9	45.3	511-114	0.09	511-114C	0.10	30
1-1/2"	50	12.1	46.8	511-112	0.13	511-112C	0.14	32
2"	63	19.5	57.0	511-200	0.21	511-200C	0.22	18
2-1/2"	75	23.3	68.2	511-212	0.33	511-212C	0.34	10
3"	90	24.4	73.8	511-300	0.53	511-300C	0.56	10
4"	110	29.0	85.8	511-400	0.92	511-400C	0.96	8
6"	160	35.4	118.0	511-600	2.42	511-600C	2.54	2
8"	200/225	55.0	158	511-800	4.92	511-800C	5.37	2
10"	250/280	70.0	210	511-1000	7.43	511-1000C	8.30	1
12"	315	85.0	240	511-1200	15.3	511-1200C	16.7	1
14"	355	101	329	511-1400	21.1	511-1400C	23.18	1
16"	400	107	360	511-1600	28.73	511-1600C	32.18	1

**LD-512** **45° Elbow**  
**Codo 45°**  
Socket X Female Thread  
Encolar X Female Thread



ASTM Inch	DIN d(mm)	mm		Weight (kg/pc)				Pcs/Ctn
		A	B	Part Number	PVC	Part Number	CPVC	
1/2"	20	8.2	30.6	512-012	0.03	512-012C	0.03	70
3/4"	25	8.0	33.8	512-034	0.04	512-034C	0.05	40
1"	32	8.4	37.9	512-100	0.07	512-100C	0.07	40
1-1/4"	40	13.9	45.3	512-114	0.10	512-114C	0.10	30
1-1/2"	50	12.1	46.8	512-112	0.14	512-112C	0.14	32
2"	63	19.5	57.0	512-200	0.22	512-200C	0.24	18
2-1/2"	75	23.3	68.2	512-212	0.34	512-212C	0.36	10
3"	90	24.4	73.8	512-300	0.56	512-300C	0.59	10
4"	110	29.0	85.8	512-400	0.96	512-400C	1.01	8

**LD-513** **45° Elbow**  
**Codo 45°**  
Female Thread  
Rosca Hembra



ASTM Inch	DIN d(mm)	mm		Weight (kg/pc)				Pcs/Ctn
		A	B	Part Number	PVC	Part Number	CPVC	
1/2"	20	8.2	30.6	513-012	0.03	513-012C	0.03	70
3/4"	25	8.0	33.8	513-034	0.05	513-034C	0.05	40
1"	32	8.4	37.9	513-100	0.07	513-100C	0.07	40
1-1/4"	40	13.9	45.3	513-114	0.10	513-114C	0.10	30
1-1/2"	50	12.1	46.8	513-112	0.14	513-112C	0.15	32
2"	63	19.5	57.0	513-200	0.24	513-200C	0.25	18
2-1/2"	75	23.3	68.2	513-212	0.36	513-212C	0.38	10
3"	90	24.4	73.8	513-300	0.59	513-300C	0.62	10
4"	110	29.0	85.8	513-400	1.01	513-400C	1.06	8